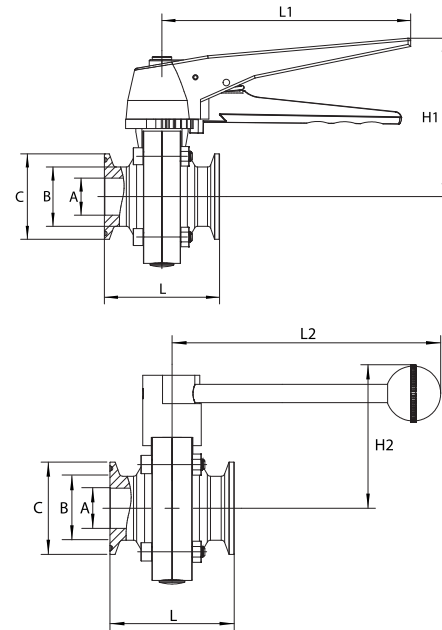


## BUTTERFLY VALVES

**FEATURES:**

- Material: 304 or 316L forged stainless steel body and disc
- 100% hydraulic tested / 100% inspected
- Field serviceable (no special tools required)
- Vacuum rating: 0.4 inches Hg at 68°F
- Seat options: EPDM (standard), Silicone, FKM
- Low resistance to flow
- Bi-directional flow
- Polyacetal bushings for the valve disc for reduced friction and increased life cycle
- All wetted surfaces are R<sub>a</sub> 32 minimum
- Lockout/Tagout handle
- Operating temperature range: 15°F to 200°F



**DIMENSIONS**

SIZE	A	B	C	L	L1 (TH)	H1 (TH)	L2 (PH)	H2 (PH)
1"	0.870	1.000	1.988	2.677	6.299	3.583	5.000	3.031
1-1/2"	1.370	1.500	1.988	2.756	6.299	3.780	5.039	3.150
2"	1.870	2.000	2.520	2.992	6.299	3.858	5.315	3.465
2-1/2"	2.370	2.500	3.051	3.307	6.299	4.213	5.433	3.740
3"	2.870	3.000	3.583	3.307	6.299	4.528	5.906	4.016
4"	3.835	4.000	4.685	3.622	6.299	4.921	6.339	4.685
6"	5.780	6.000	6.575	4.331	8.268	6.299	6.693	6.299

**SPECIFICATIONS**

Information below based on water media at 68°F/20°C

SIZE	BREAK TORQUE (IN LBS.)			PRESSURE RATING (PSI)	FLOW COEFFICIENT (C <sub>v</sub> )
	SILICONE	EPDM	FKM		
1"	20	75	70	160	23
1-1/2"	40	130	125	160	80
2"	55	165	175	160	230
2-1/2"	70	210	220	140	264
3"	165	350	310	140	372
4"	350	540	450	140	800
6"	700	1550	750	110	1200

## BUTTERFLY VALVES

**316L CLAMP END BUTTERFLY VALVE WITH STAINLESS STEEL TRIGGER HANDLE BFVTC-TS**

SIZE	EPDM SEATS *	SILICONE SEATS	FKM SEATS
	316L	316L	316L
1"	W6BFVTC-E-1-TS	W6BFVTC-S-1-TS	W6BFVTC-V-1-TS
1-1/2"	W6BFVTC-E-15-TS	W6BFVTC-S-15-TS	W6BFVTC-V-15-TS
2"	W6BFVTC-E-2-TS	W6BFVTC-S-2-TS	W6BFVTC-V-2-TS
2-1/2"	W6BFVTC-E-25-TS	W6BFVTC-S-25-TS	W6BFVTC-V-25-TS
3"	W6BFVTC-E-3-TS	W6BFVTC-S-3-TS	W6BFVTC-V-3-TS
4"	W6BFVTC-E-4-TS	W6BFVTC-S-4-TS	W6BFVTC-V-4-TS
6"	W6BFVTC-E-6-TS	W6BFVTC-S-6-TS	W6BFVTC-V-6-TS

\* VALVE COMES STANDARD WITH EPDM SEAT  
\*12 POSITION TRIGGER HANDLE



**304 CLAMP END BUTTERFLY VALVE WITH PLASTIC TRIGGER HANDLE BFVTC-TP**

**NEW!**

SIZE	EPDM SEATS *	SILICONE SEATS	FKM SEATS
	304	304	304
1"	W4BFVTC-E-1-TP	W4BFVTC-S-1-TP	W4BFVTC-V-1-TP
1-1/2"	W4BFVTC-E-15-TP	W4BFVTC-S-15-TP	W4BFVTC-V-15-TP
2"	W4BFVTC-E-2-TP	W4BFVTC-S-2-TP	W4BFVTC-V-2-TP
2-1/2"	W4BFVTC-E-25-TP	W4BFVTC-S-25-TP	W4BFVTC-V-25-TP
3"	W4BFVTC-E-3-TP	W4BFVTC-S-3-TP	W4BFVTC-V-3-TP
4"	W4BFVTC-E-4-TP	W4BFVTC-S-4-TP	W4BFVTC-V-4-TP

\* VALVE COMES STANDARD WITH EPDM SEAT  
\* 12 POSITION TRIGGER HANDLE



**CLAMP END BUTTERFLY VALVE WITH 4-POSITION PULL HANDLE BFVTC-PH**

**NEW!**

SIZE	EPDM SEATS *		SILICONE SEATS		FKM SEATS	
	304	316L	304	316L	304	316L
1"	W4BFVTC-E-1-PH	W6BFVTC-E-1-PH	W4BFVTC-S-1-PH	W6BFVTC-S-1-PH	W4BFVTC-V-1-PH	W6BFVTC-V-1-PH
1-1/2"	W4BFVTC-E-15-PH	W6BFVTC-E-15-PH	W4BFVTC-S-15-PH	W6BFVTC-S-15-PH	W4BFVTC-V-15-PH	W6BFVTC-V-15-PH
2"	W4BFVTC-E-2-PH	W6BFVTC-E-2-PH	W4BFVTC-S-2-PH	W6BFVTC-S-2-PH	W4BFVTC-V-2-PH	W6BFVTC-V-2-PH
2-1/2"	W4BFVTC-E-25-PH	W6BFVTC-E-25-PH	W4BFVTC-S-25-PH	W6BFVTC-S-25-PH	W4BFVTC-V-25-PH	W6BFVTC-V-25-PH
3"	W4BFVTC-E-3-PH	W6BFVTC-E-3-PH	W4BFVTC-S-3-PH	W6BFVTC-S-3-PH	W4BFVTC-V-3-PH	W6BFVTC-V-3-PH
4"	W4BFVTC-E-4-PH	W6BFVTC-E-4-PH	W4BFVTC-S-4-PH	W6BFVTC-S-4-PH	W4BFVTC-V-4-PH	W6BFVTC-V-4-PH
6"	-	W6BFVTC-E-6-PH	-	W6BFVTC-S-6-PH	-	W6BFVTC-V-6-PH

\* VALVE COMES STANDARD WITH EPDM SEAT



**HOW TO ORDER**

W + Alloy	+ Product Code	+ Ends	- Seat	- Size (in.)	Handle
4 = 304 6 = 316L	BFV=Butterfly Valve	TC = Tri-Clamp	E=EPDM S=Silicone V=FKM	1 1.5 2 3 4 ...	TS=Stainless Steel Trigger TP=Plastic Trigger PH=Pull Handle SRO= Spring Return Open SRC= Spring Return Closed DA = Double Acting

Example: **W** + **6** + **BFV** + **TC** - **E** - **3** - **TS**

**( W6BFVTC-E-3-TS )**



ITEM	DESCRIPTION	MATERIAL
01	Valve Body	SS304/SS316L
02	Seat	Silicone / EPDM / FKM
03	Disc	SS304 / SS316L
04	Bushing	Plastic
05	Nut	SS304
06	Bolt	SS304
07	Support	SS304
08	Trigger Handle	Plastic / SS304
09	Washer	SS304
10	Plastic Plug	Plastic
11	Bolt	SS304
12	Plastic Plug	Plastic

Repair Kit Contains:

- (1) Disc
- (1) Seat
- (2) Bushings

**SANITARY VALVES**

**BUTTERFLY VALVE REPAIR KITS AND REPLACEMENT SEATS**

SIZE	EPDM (BLACK)		SILICONE (RED)		FKM (BROWN)	
	REPAIR KIT	REPLACEMENT SEAT	REPAIR KIT	REPLACEMENT SEAT	REPAIR KIT	REPLACEMENT SEAT
1"	W4BFV-RK-E-1	WBFV-ST-E-1	W4BFV-RK-S-1	WBFV-ST-S-1	W4BFV-RK-V-1	WBFV-ST-V-1
1-1/2"	W4BFV-RK-E-15	WBFV-ST-E-15	W4BFV-RK-S-15	WBFV-ST-S-15	W4BFV-RK-V-15	WBFV-ST-V-15
2"	W4BFV-RK-E-2	WBFV-ST-E-2	W4BFV-RK-S-2	WBFV-ST-S-2	W4BFV-RK-V-2	WBFV-ST-V-2
2-1/2"	W4BFV-RK-E-25	WBFV-ST-E-25	W4BFV-RK-S-25	WBFV-ST-S-25	W4BFV-RK-V-25	WBFV-ST-V-25
3"	W4BFV-RK-E-3	WBFV-ST-E-3	W4BFV-RK-S-3	WBFV-ST-S-3	W4BFV-RK-V-3	WBFV-ST-V-3
4"	W4BFV-RK-E-4	WBFV-ST-E-4	W4BFV-RK-S-4	WBFV-ST-S-4	W4BFV-RK-V-4	WBFV-ST-V-4
6"	W4BFV-RK-E-6	WBFV-ST-E-6	W4BFV-RK-S-6	WBFV-ST-S-6	W4BFV-RK-V-6	WBFV-ST-V-6

**BUTTERFLY VALVE HANDLE REPLACEMENTS**

SIZE	304 STAINLESS 12-POSITION TRIGGER HANDLE	BLACK PLASTIC 12-POSITION TRIGGER HANDLE	4 POSITION PULL HANDLE
1"			
1-1/2"	WBFV-1/15/2-TS	WBFV-1/15/2-TP	WBFV-1/15/2-PH
2"			
2-1/2"			WBFV-25-PH
3"	WBFV-25/3/4-TS	WBFV-25/3/4-TP	WBFV-3/4-PH
4"			
6"	WBFV-6-TS	N/A	WBFV-6-PH

