



## FITTINGS, TUBING & VALVES

Supplying Sanitary Distributors who Service  
the Beverage, Dairy, Food, Brewery, Bakery,  
Cosmetic, and Nutraceutical Industries

# Sanitary BUTTERFLY VALVES

---



# MANUAL BUTTERFLY VALVES

## FEATURES:

- 100% hydraulic tested / 100% inspected
- Field serviceable (no special tools required)
- Vacuum rating: 0.4 inches Hg at 68°F
- Low resistance to flow
- Bi-directional flow
- Polyacetal bushings for the valve disc for reduced friction and increased life cycle
- All wetted surfaces are 32Ra minimum
- Lockout/Tagout handle (trigger handle only)



## OPTIONS:

- **Material:** 304 or 316L forged stainless steel body and disc
- **Seat:**
  - » EPDM (standard)
  - » Silicone
  - » FKM
- **Handle:**
  - » 12-position stainless steel trigger handle
  - » 12-position black plastic trigger handle
  - » 4-position pull handle
- **Connection:**
  - » Stocked with clamp ends
  - » Butt weld and other end connections available upon request

## SPECIFICATIONS

Information below based on water media at 68°F/20°C

SIZE	BREAK TORQUE (in. lbs.)*			PRESSURE RATING (PSI)	FLOW COEFFICIENT (C <sub>v</sub> )	WEIGHT (lbs.)		
	SILICONE	EPDM	FKM			STEEL TRIGGER	PLASTIC TRIGGER	PULL HANDLE
1"	20	75	70	160	23	3.57	3.015	3.06
1-1/2"	40	130	125	160	80	3.45	2.90	2.90
2"	55	165	175	160	230	4.23	3.655	3.65
2-1/2"	70	210	220	140	264	4.71	4.12	4.14
3"	165	350	310	140	372	5.50	4.95	4.99
4"	350	540	450	140	800	8.04	7.48	7.82
6"	700	1550	750	110	1200	17.20	N/A	16.54
8"	520	680	550	110	2110	N/A	N/A	28.40

\* Torque required to fully open and close valve

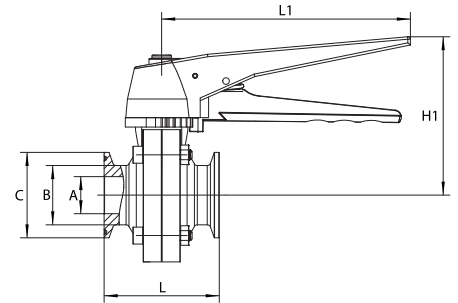
## TEMPERATURE RATING

SEAT MATERIAL	MIN. MAX TEMPERATURE	RECOMMENDED OPERATING RANGE
EPDM	-40° - 266°F	-4° - 230°F
FKM	-4° - 392°F	-4° - 302°F
SILICONE	-76° - 392°F	-13° - 284°F

## DIMENSIONS (inches)

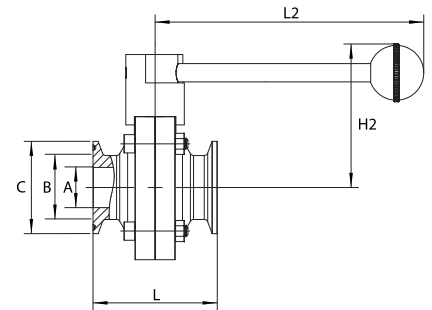
### TRIGGER HANDLE WITH CLAMP ENDS

SIZE	A	B	C	L	L1	H1
1"	0.870	1.000	1.988	2.677	6.299	3.583
1-1/2"	1.370	1.500	1.988	2.756	6.299	3.780
2"	1.870	2.000	2.520	2.992	6.299	3.858
2-1/2"	2.370	2.500	3.051	3.307	6.299	4.213
3"	2.870	3.000	3.583	3.307	6.299	4.528
4"	3.835	4.000	4.685	3.622	6.299	4.921
6"	5.780	6.000	6.575	4.331	8.268	6.299



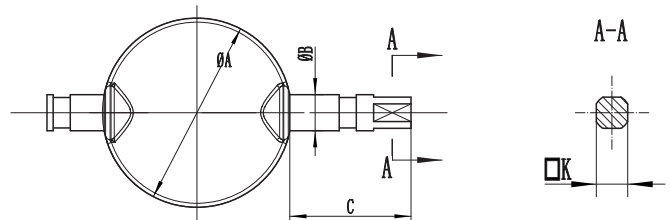
### PULL HANDLE WITH CLAMP ENDS

SIZE	A	B	C	L	L2	H2
1"	0.870	1.000	1.988	2.677	5.118	3.031
1-1/2"	1.370	1.500	1.988	2.756	5.118	3.150
2"	1.870	2.000	2.520	2.992	5.118	3.465
2-1/2"	2.370	2.500	3.051	3.307	5.905	3.740
3"	2.870	3.000	3.583	3.307	5.905	4.016
4"	3.835	4.000	4.685	3.622	6.299	4.685
6"	5.780	6.000	6.575	4.331	8.465	6.299
8"	7.779	8.000	8.559	3.543	11.181	7.028



### BUTTERFLY VALVE DISC & STEM DIMENSIONS

SIZE	K	ØA	ØB	C
1"	0.315	0.906	0.394	1.575
1-1/2"	0.315	1.378	0.394	1.457
2"	0.315	1.890	0.394	1.535
2-1/2"	0.394	2.362	0.472	1.457
3"	0.394	2.835	0.472	1.575
4"	0.394	3.937	0.472	1.575
6"	0.551	5.906	0.669	2.165
8"	0.630	7.874	0.787	2.047



# BUTTERFLY VALVES

## CLAMP END BUTTERFLY VALVE WITH 12 POSITION STAINLESS STEEL TRIGGER HANDLE BFVTC-TS

SIZE	EPDM SEATS *		SILICONE SEATS		FKM SEATS	
	304	316L	304	316L	304	316L
1"	W4BFVTC-E-1-TS	W6BFVTC-E-1-TS	W4BFVTC-S-1-TS	W6BFVTC-S-1-TS	W4BFVTC-V-1-TS	W6BFVTC-V-1-TS
1-1/2"	W4BFVTC-E-15-TS	W6BFVTC-E-15-TS	W4BFVTC-S-15-TS	W6BFVTC-S-15-TS	W4BFVTC-V-15-TS	W6BFVTC-V-15-TS
2"	W4BFVTC-E-2-TS	W6BFVTC-E-2-TS	W4BFVTC-S-2-TS	W6BFVTC-S-2-TS	W4BFVTC-V-2-TS	W6BFVTC-V-2-TS
2-1/2"	W4BFVTC-E-25-TS	W6BFVTC-E-25-TS	W4BFVTC-S-25-TS	W6BFVTC-S-25-TS	W4BFVTC-V-25-TS	W6BFVTC-V-25-TS
3"	W4BFVTC-E-3-TS	W6BFVTC-E-3-TS	W4BFVTC-S-3-TS	W6BFVTC-S-3-TS	W4BFVTC-V-3-TS	W6BFVTC-V-3-TS
4"	W4BFVTC-E-4-TS	W6BFVTC-E-4-TS	W4BFVTC-S-4-TS	W6BFVTC-S-4-TS	W4BFVTC-V-4-TS	W6BFVTC-V-4-TS
6"	-	W6BFVTC-E-6-TS	-	W6BFVTC-S-6-TS	-	W6BFVTC-V-6-TS

\* VALVE COMES STANDARD WITH EPDM SEAT

\*12 POSITION TRIGGER HANDLE



## CLAMP END BUTTERFLY VALVE WITH 12 POSITION PLASTIC TRIGGER HANDLE BFVTC-TP

SIZE	EPDM SEATS *		SILICONE SEATS		FKM SEATS	
	304	316L	304	316L	304	316L
1"	W4BFVTC-E-1-TP	W6BFVTC-E-1-TP	W4BFVTC-S-1-TP	W6BFVTC-S-1-TP	W4BFVTC-V-1-TP	W6BFVTC-V-1-TP
1-1/2"	W4BFVTC-E-15-TP	W6BFVTC-E-15-TP	W4BFVTC-S-15-TP	W6BFVTC-S-15-TP	W4BFVTC-V-15-TP	W6BFVTC-V-15-TP
2"	W4BFVTC-E-2-TP	W6BFVTC-E-2-TP	W4BFVTC-S-2-TP	W6BFVTC-S-2-TP	W4BFVTC-V-2-TP	W6BFVTC-V-2-TP
2-1/2"	W4BFVTC-E-25-TP	W6BFVTC-E-25-TP	W4BFVTC-S-25-TP	W6BFVTC-S-25-TP	W4BFVTC-V-25-TP	W6BFVTC-V-25-TP
3"	W4BFVTC-E-3-TP	W6BFVTC-E-3-TP	W4BFVTC-S-3-TP	W6BFVTC-S-3-TP	W4BFVTC-V-3-TP	W6BFVTC-V-3-TP
4"	W4BFVTC-E-4-TP	W6BFVTC-E-4-TP	W4BFVTC-S-4-TP	W6BFVTC-S-4-TP	W4BFVTC-V-4-TP	W6BFVTC-V-4-TP

\* VALVE COMES STANDARD WITH EPDM SEAT

\* 12 POSITION TRIGGER HANDLE



## CLAMP END BUTTERFLY VALVE WITH 4-POSITION PULL HANDLE BFVTC-PH

SIZE	EPDM SEATS *		SILICONE SEATS		FKM SEATS	
	304	316L	304	316L	304	316L
1"	W4BFVTC-E-1-PH	W6BFVTC-E-1-PH	W4BFVTC-S-1-PH	W6BFVTC-S-1-PH	W4BFVTC-V-1-PH	W6BFVTC-V-1-PH
1-1/2"	W4BFVTC-E-15-PH	W6BFVTC-E-15-PH	W4BFVTC-S-15-PH	W6BFVTC-S-15-PH	W4BFVTC-V-15-PH	W6BFVTC-V-15-PH
2"	W4BFVTC-E-2-PH	W6BFVTC-E-2-PH	W4BFVTC-S-2-PH	W6BFVTC-S-2-PH	W4BFVTC-V-2-PH	W6BFVTC-V-2-PH
2-1/2"	W4BFVTC-E-25-PH	W6BFVTC-E-25-PH	W4BFVTC-S-25-PH	W6BFVTC-S-25-PH	W4BFVTC-V-25-PH	W6BFVTC-V-25-PH
3"	W4BFVTC-E-3-PH	W6BFVTC-E-3-PH	W4BFVTC-S-3-PH	W6BFVTC-S-3-PH	W4BFVTC-V-3-PH	W6BFVTC-V-3-PH
4"	W4BFVTC-E-4-PH	W6BFVTC-E-4-PH	W4BFVTC-S-4-PH	W6BFVTC-S-4-PH	W4BFVTC-V-4-PH	W6BFVTC-V-4-PH
6"	-	W6BFVTC-E-6-PH	-	W6BFVTC-S-6-PH	-	W6BFVTC-V-6-PH
8"	-	W6BFVTC-E-8-PH	-	W6BFVTC-S-8-PH	-	W6BFVTC-V-8-PH

\* VALVE COMES STANDARD WITH EPDM SEAT





### HOW TO ORDER

W + Alloy + Product Code + Ends - Seat - Size (in.)

Alloy: 4 = 304, 6 = 316L  
 Product Code: BFV=Butterfly Valve  
 Ends: TC = Tri-Clamp  
 Seat: E=EPDM, S=Silicone, V=FKM  
 Size (in.): 1, 1.5, 2, 3, 4, 6, 8

Handle

TS=Stainless Steel Trigger  
 TP=Plastic Trigger  
 PH=Pull Handle  
 SRO= Spring Return Open  
 SRC= Spring Return Closed  
 DA = Double Acting

Example: **W** + **6** + **BFV** + **TC** - **E** - **3** - **TS**  
**( W6BFVTC-E-3-TS )**



ITEM	DESCRIPTION	MATERIAL
01	Valve Body	SS304/SS316L
02	Seat	Silicone / EPDM / FKM
03	Disc	SS304 / SS316L
04	Bushing	Plastic
05	Nut	SS304
06	Bolt	SS304
07	Handle Plate	SS304
08	Handle	Plastic / SS304
09	Washer	SS304
10	Plastic Plug	Plastic
11	Bolt	SS304

Repair Kit Contains:  
 (1) Disc  
 (1) Seat  
 (2) Bushings

### BUTTERFLY VALVE REPAIR KITS\* AND REPLACEMENT SEATS

SIZE	EPDM (BLACK)		SILICONE (RED)		FKM (BROWN)	
	REPAIR KIT	REPLACEMENT SEAT	REPAIR KIT	REPLACEMENT SEAT	REPAIR KIT	REPLACEMENT SEAT
1"	W6BFV-RK-E-1	WBFV-ST-E-1	W6BFV-RK-S-1	WBFV-ST-S-1	W6BFV-RK-V-1	WBFV-ST-V-1
1-1/2"	W6BFV-RK-E-15	WBFV-ST-E-15	W6BFV-RK-S-15	WBFV-ST-S-15	W6BFV-RK-V-15	WBFV-ST-V-15
2"	W6BFV-RK-E-2	WBFV-ST-E-2	W6BFV-RK-S-2	WBFV-ST-S-2	W6BFV-RK-V-2	WBFV-ST-V-2
2-1/2"	W6BFV-RK-E-25	WBFV-ST-E-25	W6BFV-RK-S-25	WBFV-ST-S-25	W6BFV-RK-V-25	WBFV-ST-V-25
3"	W6BFV-RK-E-3	WBFV-ST-E-3	W6BFV-RK-S-3	WBFV-ST-S-3	W6BFV-RK-V-3	WBFV-ST-V-3
4"	W6BFV-RK-E-4	WBFV-ST-E-4	W6BFV-RK-S-4	WBFV-ST-S-4	W6BFV-RK-V-4	WBFV-ST-V-4
6"	W6BFV-RK-E-6	WBFV-ST-E-6	W6BFV-RK-S-6	WBFV-ST-S-6	W6BFV-RK-V-6	WBFV-ST-V-6
8"	W6BFV-RK-E-8	WBFV-ST-E-8	W6BFV-RK-S-8	WBFV-ST-S-8	W6BFV-RK-V-8	WBFV-ST-V-8

\*Repair kits contain 316 discs. Compatible with 304 valves.

### BUTTERFLY VALVE HANDLE REPLACEMENTS

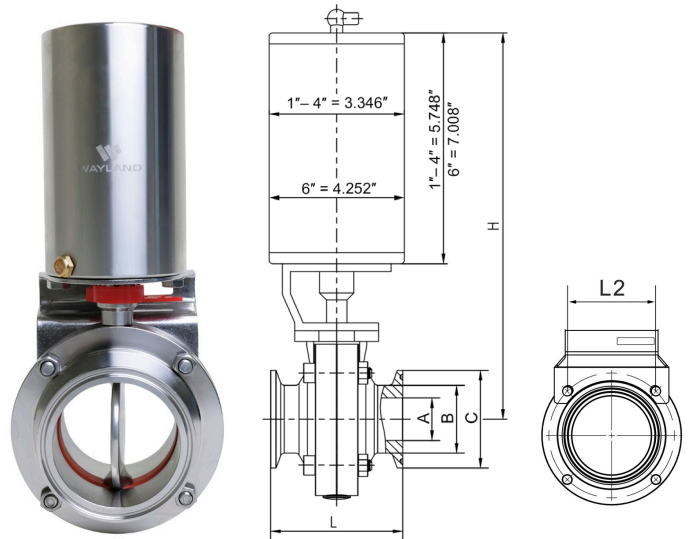
SIZE	304 STAINLESS	BLACK PLASTIC	4 POSITION PULL HANDLE
	12-POSITION TRIGGER HANDLE	12-POSITION TRIGGER HANDLE	
1"			
1-1/2"	WBFV-TS-1/15/2	WBFV-TP-1/15/2	WBFV-PH-1/15/2
2"			
2-1/2"			WBFV-PH-25/3
3"	WBFV-TS-25/3/4	WBFV-TP-25/3/4	
4"			WBFV-PH-4
6"	WBFV-TS-6	N/A	WBFV-PH-6
8"	N/A	N/A	WBFV-PH-8



# ACTUATED BUTTERFLY VALVES

## FEATURES:

- |  |                 |                   |
|--|-----------------|-------------------|
|  | <u>Actuator</u> | <u>Valve Body</u> |
|--|-----------------|-------------------|
- Material: T304 Stainless Steel    T304 or T316L
  - Field Serviceable
  - All wetted surfaces are 32Ra minimum
  - Air Supply Pressure: 80 – 100 PSI
  - Weight (actuator only): 1" - 4" = 5.95 lbs.  
6" = 11.12 lbs.
  - Air Fitting Ports: 1/8" FNPT tap
  - Air Hose Size: 1/4"
  - Can be mounted on all butterfly valves up to 6"
  - Available in "Normally Open", "Normally Closed" & "Double Acting" actuation



## ACTUATED BUTTERFLY VALVES

SIZE	DIMENSIONS						PART NUMBERS*		
	A	B	C	L	H	L2	SPRING RETURN OPEN	SPRING RETURN CLOSED	DUAL ACTING
1"	0.870	1.000	1.988	2.677	8.937	1.850	W6BFVTC-E-1-SRO	W6BFVTC-E-1-SRC	W6BFVTC-E-1-DA
1-1/2"	1.370	1.500	1.988	2.756	9.094	2.047	W6BFVTC-E-15-SRO	W6BFVTC-E-15-SRC	W6BFVTC-E-15-DA
2"	1.870	2.000	2.520	2.992	9.331	2.362	W6BFVTC-E-2-SRO	W6BFVTC-E-2-SRC	W6BFVTC-E-2-DA
2-1/2"	2.370	2.500	3.051	3.307	9.528	2.756	W6BFVTC-E-25-SRO	W6BFVTC-E-25-SRC	W6BFVTC-E-25-DA
3"	2.870	3.000	3.583	3.307	11.142	3.051	W6BFVTC-E-3-SRO	W6BFVTC-E-3-SRC	W6BFVTC-E-3-DA
4"	3.835	4.000	4.685	3.622	11.614	3.858	W6BFVTC-E-4-SRO	W6BFVTC-E-4-SRC	W6BFVTC-E-4-DA
6"	5.826	6.000	6.575	4.330	12.835	3.898	W6BFVTC-E-6-SRO	W6BFVTC-E-6-SRC	W6BFVTC-E-6-DA

\* REPLACE E (EPDM) WITH S (SILICONE) OR V (FKM) FOR SEAT PREFERENCE

\* REPLACE W6 (316L) WITH W4 (304) FOR ALLOY PREFERENCE

## INDIVIDUAL VERTICAL CANISTER ACTUATOR PART NUMBERS

SPRING RETURN	DUAL ACTING
W4CVA-SR-(size)	W4CVA-DA-(size)

ITEM	DESCRIPTION	MATERIAL	QNTY
1	Actuator Body	SUS304	1
2	Muffler	H62	1
3	Connecting Pin	SUS304	1
4	Shaft Coupler	SUS304	1
5	Support Bracket	SUS304	1
6	Washer	65Mn	2
7	Washer	A2~70	2
8	Hexagon Bolt	A2~70	2
9	Position Indicator	Plastic / SS304	1

