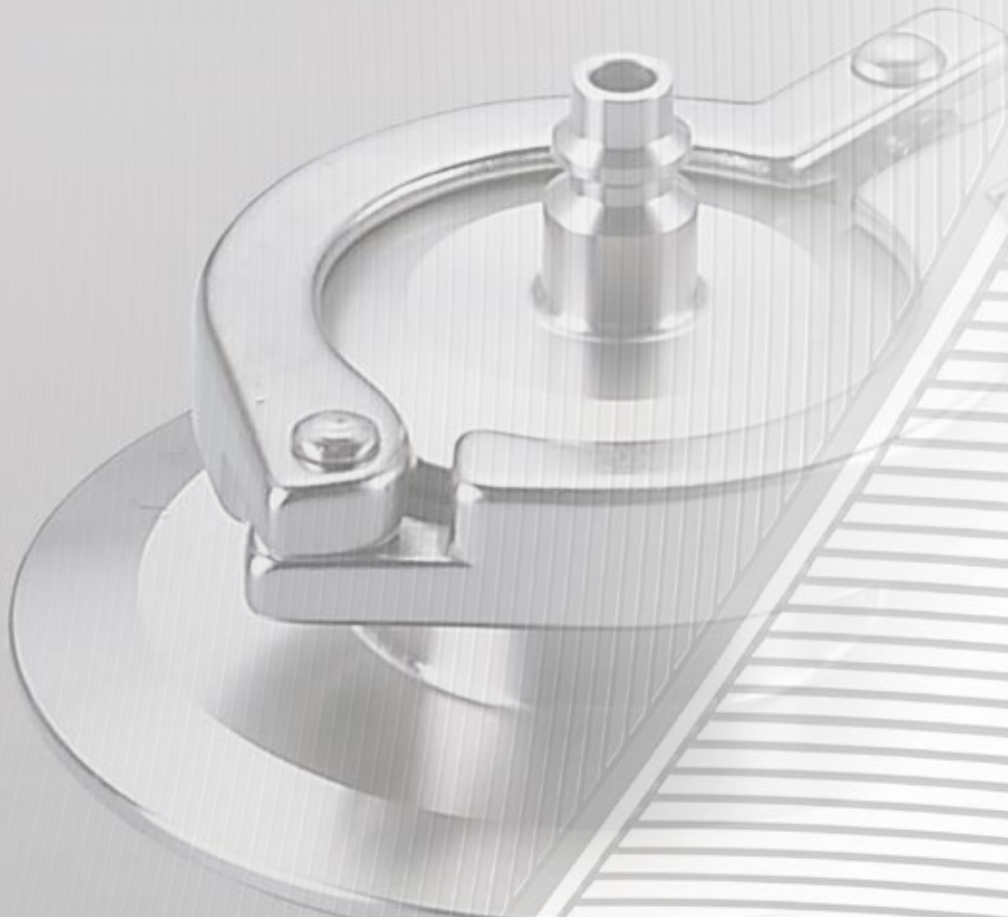




FITTINGS, TUBING & VALVES

Supplying Sanitary Distributors who Service
the Beverage, Dairy, Food, Brewery, Bakery,
Cosmetic, and Nutraceutical Industries

Sanitary AIR BLOW CHECK VALVE



AIR BLOW CHECK VALVE

Air Blow Check Valves are used to purge CIP solution or product through the use of pressurized air.

FEATURES:

- Sizes 1-1/2" thru 4"
- All metal product contact surfaces are 316L stainless steel
- Compatible with Wayland Y-Ball Check Valve
- Polished 32Ra finish on all wetted surfaces
- EPDM stem seat and gasket
- Available with 3 end-connections: quick-connect, female NPT, and hose barb
- Field serviceable (no special tools required)
- Maximum operating pressure: 145 PSI
- Maximum operating temperature: 212°F



AIR BLOW CHECK VALVE PART NUMBERS



VALVE SIZE	QUICK-CONNECT	FNPT	HOSE BARB
1-1/2"	W645AB-1/15-QC	W645AB-1/15-FNPT	W645AB-1/15-HB
2"	W645AB-2-QC	W645AB-2-FNPT	W645AB-2-HB
2-1/2"	W645AB-25-QC	W645AB-25-FNPT	W645AB-25-HB
3"	W645AB-3-QC	W645AB-3-FNPT	W645AB-3-HB
4"	W645AB-4-QC	W645AB-4-FNPT	W645AB-4-HB

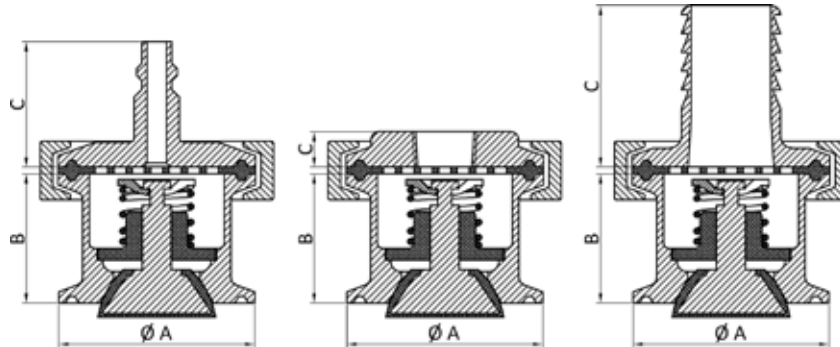
SIZING CHART

When using air blow check valves with ball check valves, refer to the sizing chart below

BALL CHECK VALVE SIZE	AIR BLOW CHECK VALVE SIZE
1-1/2"	2"
2"	2-1/2"
2-1/2"	3"
3"	4"

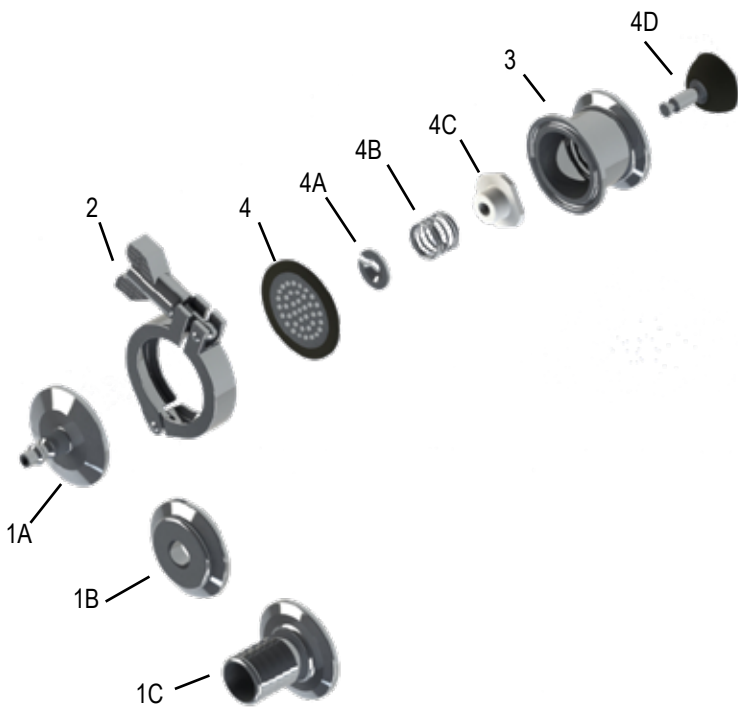


AIR BLOW CHECK VALVE



DIMENSIONS (inches)

SIZE	A	B	C (QUICK CONNECT)	C (FNPT)	C (HOSE BARB)
1-1/2	1.984	1.30	1.26	0.6	1.7
2	2.516	1.30	1.26	0.6	1.7
2-1/2	3.047	1.30	1.26	0.6	1.7
3	3.579	1.30	1.26	0.6	1.7
4	4.682	1.30	1.26	0.6	1.7



ITEM	DESCRIPTION	MATERIAL	QTY
1A	1/4" Air Line Quick Connect	316L	1
1B	1/2" NPT Cap	316L	1
1C	1" Hose Barb	316L	1
2	Single Pin Clamp	CF8	1
3	Valve Body	316L	1
4	Perforated Disc	EPDM / 316L	1
4A	Spring Retainer	304	1
4B	Spring	304	1
4C	Stem Guide	Nylon	1
4D	Stem and Plug	316L / EPDM	1