



FITTINGS, TUBING & VALVES

Supplying Sanitary Distributors who Service
the Beverage, Dairy, Food, Brewery, Bakery,
Cosmetic, and Nutraceutical Industries

Sanitary Y-BALL CHECK VALVE



Y-BALL CHECK VALVE

Y-Ball Check Valves are used to prevent back flow. When liquid flows through the valve during processing, the ball is forced into the branch allowing full flow. When the liquid stops, the ball returns to the seat, preventing back flow.

FEATURES:

- All metal product contact surface are 316L stainless steel
- Polished 32Ra finish on all wetted surfaces
- PTFE ball
- Two-piece construction
- Repair kits available for seal kits and PTFE ball
- Available with either EPDM or FKM seat material
- Field serviceable (no special tools required)
- Maximum operating pressure 150 PSI
- Operating temperature range 15°F to 200°F



SPECIFICATIONS

VALVE SIZE	WEIGHT (lbs.)	CAP SIZE	CLAMP SIZE	CAP GASKET	BALL DIAMETER	CRACKING PRESSURE INCHES (H2O)		SEATING PRESSURE (PSI)		FLOW COEFFICIENT (C _v)
						VERTICAL	HORIZONTAL	VERTICAL	HORIZONTAL	
1-1/2"	4.9	2.0	2.0	2.0	1.6	2.0	0.5	3.6	3.9	60
2"	6.6	2.5	2.5	2.5	2.1	2.5	0.5	2.6	3.7	80
2-1/2"	10.5	3.0	3.0	3.0	2.7	3.0	0.5	1.6	2.4	100
3"	17.5	4.0	4.0	4.0	3.6	3.8	0.5	1.9	2.6	140

316L VALVE PART NUMBER

VALVE SIZE	EPDM	FKM
1-1/2"	W645BY-E-15	W645BY-V-15
2"	W645BY-E-2	W645BY-V-2
2-1/2"	W645BY-E-25	W645BY-V-25
3"	W645BY-E-3	W645BY-V-3

REPLACEMENT PARTS

VALVE SIZE	SEAL KITS EPDM	SEAL KITS FKM	REPLACEMENT BALL PTFE
1-1/2"	W45BY-ST-E-15	W45BY-ST-V-15	W45BY-B-15
2"	W45BY-ST-E-2	W45BY-ST-V-16	W45BY-B-2
2-1/2"	W45BY-ST-E-25	W45BY-ST-V-17	W45BY-B-25
3"	W45BY-ST-E-3	W45BY-ST-V-18	W45BY-B-3

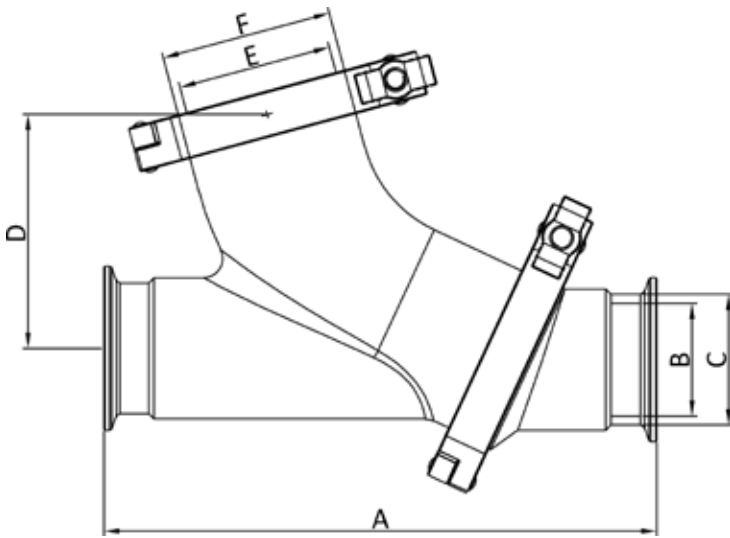
*Seal kit includes (1) EPDM/FKM cap gasket and (1) EPDM/FKM/CF8M Seat

SIZING CHART

When using air blow check valves with ball check valves, refer to the sizing chart below

BALL CHECK VALVE SIZE	AIR BLOW CHECK VALVE SIZE
1-1/2"	2"
2"	2-1/2"
2-1/2"	3"
3"	4"

Y-BALL CHECK VALVE



DIMENSIONS (inches)

SIZE	A	B	C	D	E	F
1-1/2"	7.5	1.37	1.5	3.3	1.9	2.5
2"	8.5	1.87	2.0	3.9	2.3	3.0
2-1/2"	10	2.37	2.5	4.5	2.9	3.6
3"	11.5	2.87	3.0	5.3	3.8	4.7



ITEM	DESCRIPTION	MATERIAL	QTY
1	Angle Body	316L	1
2	Inlet Body	316L	1
3	Single Pin Clamp	CF8	2
4	End Cap	316L	1
5	Cap Gasket	EPDM / FKM	1
6	Ball	PTFE	1
7	Seat	EPDM or FKM / 316L	1